



# Cable Float Level Switch



# PRODUCT INTRODUCTION

## DESCRIPTION

The Float Level Switch is made from chemical resistant polypropylene. It is durable, low-cost, and specially designed to assist with long range and multiple point level detection in liquids. It is also suitable for tanks containing pumps and granular solutions.

## APPLICATION

FAC: Suitable for pump controlled systems

FAR/ P / D/ E: Suitable for pump controlled waste water with a low Specific Gravity (SG level).

FAS: High temperature solutions

FAL/ J: Cleaner water, and installation with smaller process connections.

It is suggested to apply Reed Switch contact models in PLC or DCS control.

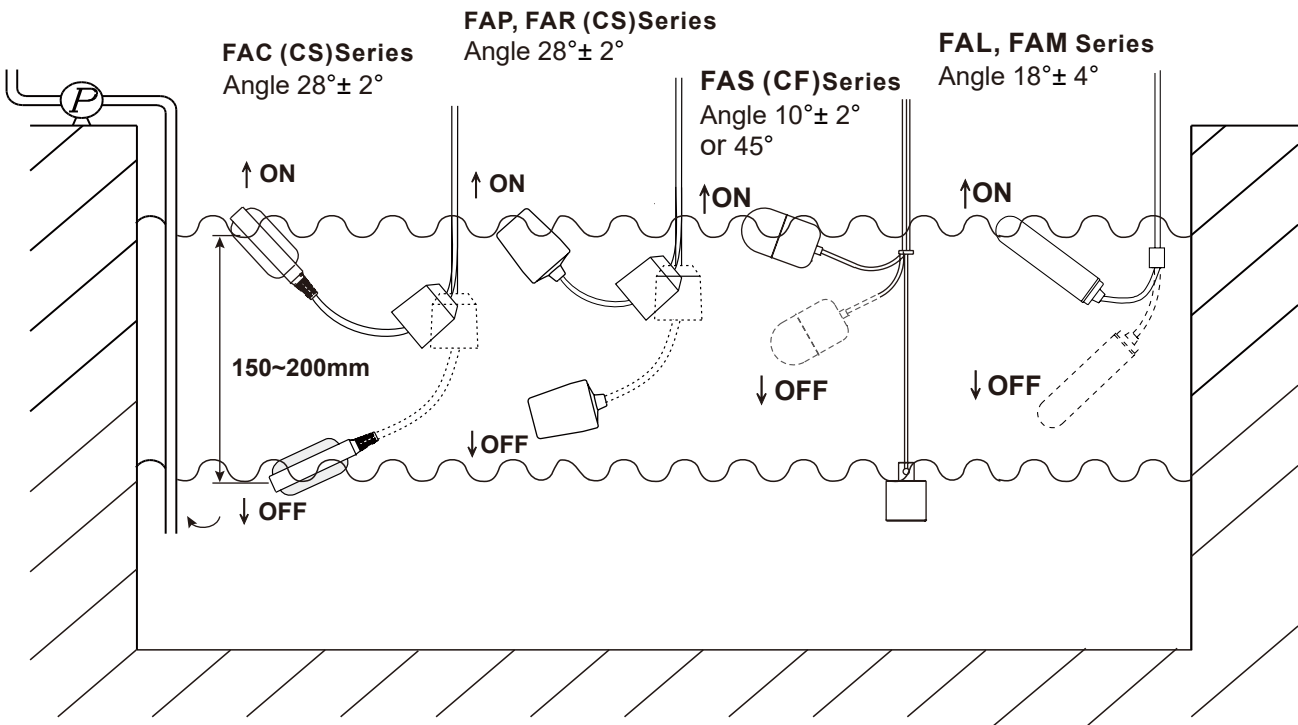
## WORKING PRINCIPLE

The Cable Float Level Switch is structured by using either micro switches proximity switches or reed switches to control the contact. Its user-friendly design is ideal for level measurement. The switches will transmit an ON or OFF contact signal output when the float rises and turns upwards. The switch contains a metal ball that can slide as the float position changes.

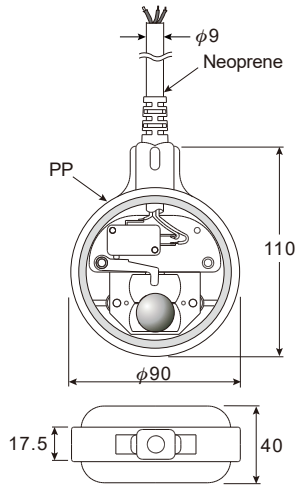
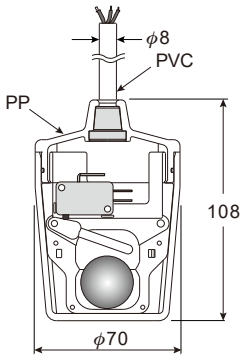
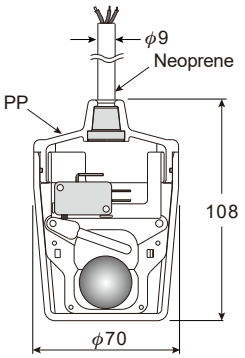
For different water or solution temperatures, different float materials are available for selection. Plastic and stainless steel switches are the most common.

The cable float level switch can not only be used in clear liquids but also can be used in granular liquids. Long distance detection points and multi-point contacts are also available.

Cable float level switches can be applied in all water management, petrochemical, chemical industries. Other uses include: air-conditioner systems, drainage systems, most tanks or containers with level switch requirements.

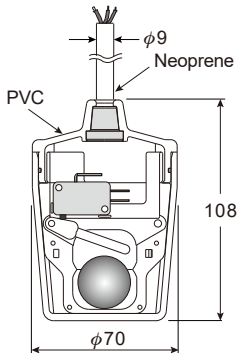
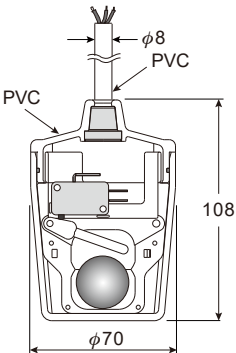
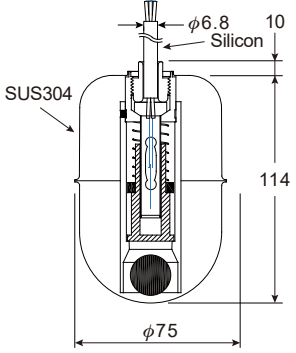


# SPECIFICATIONS

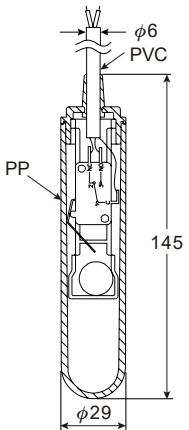
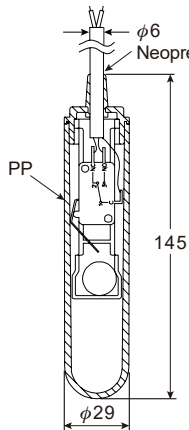
<b>Dimensions (Unit:mm)</b>			
	<b>Model</b>	<b>FAC A/B/C Round type</b>	<b>FAP A/B/C Cup type</b>
<b>Switch</b>	Micro switch	Micro switch	Micro switch
<b>Float material</b>	P.P.		
<b>Cable spec</b>	Neoprene Cable 1mm <sup>2</sup> ×3C or 2C	PVC Cable 1.25mm <sup>2</sup> ×3C or 2C	Neoprene Cable 1mm <sup>2</sup> ×3C or 2C
<b>Contact rating</b>	10A/ 250Vac (std.) or 15A/ 250Vac		
<b>Contact form</b>	N.O or N.C or SPDT		
<b>Operating temp.</b>	-10°C~80°C	0°C~60°C	-10°C~80°C
<b>Specific gravity</b>	0.6	0.6	0.6
<b>Weight approx.</b>	770g/5M	290g/1M	290g/1M
<b>Pressure</b>	2 kg/cm <sup>2</sup>	2 kg/cm <sup>2</sup>	2 kg/cm <sup>2</sup>
<b>Wire voltage</b>	600 Vac	600 Vac	600 Vac
<b>Isolation resistance</b>	Min 100 MΩ		
<b>Contact resistance</b>	Max. 100mΩ+(70mΩ/m)		
<b>Actuation angle</b>	28°± 2°	28°± 2°	28°± 2°
<b>Protection</b>	IP68	IP68	IP68

Note: Max. probe length for FAC round type is 10000mm.

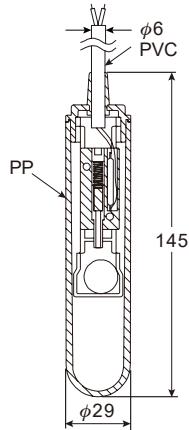
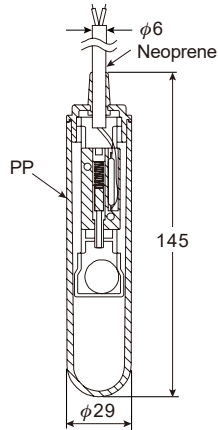
# SPECIFICATIONS

<b>Dimensions (Unit:mm)</b>			
	<b>Model</b>	<b>FAD A/B/C Cup type</b>	<b>FAE A/B/C Cup type</b>
<b>Switch</b>	Micro switch	Micro switch	Reed switch
<b>Float material</b>	PVC		SUS304
<b>Cable spec</b>	Neoprene Cable 1mm <sup>2</sup> ×3C or 2C	PVC Cable 1.25mm <sup>2</sup> ×3C or 2C	Silicon Cable 0.75mm <sup>2</sup> ×3C or 2C
<b>Contact rating</b>	10A/ 250Vac (std.) or 15A/ 250Vac		1A/ 240Vac or 200Vdc 30W
<b>Contact form</b>	N.O or N.C or SPDT		N.O or N.C or SPDT
<b>Operating temp.</b>	0°C~60°C	0°C~60°C	0°C~125°C
<b>Specific gravity</b>	0.6	0.6	0.5
<b>Weight approx.</b>	290g/1M	290g/1M	660g/5M
<b>Pressure</b>	2 kg/cm <sup>2</sup>	2 kg/cm <sup>2</sup>	2 kg/cm <sup>2</sup>
<b>Wire voltage</b>	600 Vac	600 Vac	300 Vac
<b>Isolation resistance</b>	Min 100 MΩ		—
<b>Contact resistance</b>	Max. 100mΩ+(70mΩ/m)		Max. 1Ω+(70mΩ/m)
<b>Actuation angle</b>	28°± 2°	28°± 2°	UP 45°/Down 30°
<b>Protection</b>	IP68	IP68	IP68

# SPECIFICATIONS

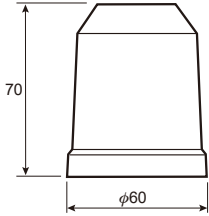
<b>Dimensions (Unit:mm)</b>		
	<b>Model</b>	<b>FAL A/B/C Bar type</b>
<b>Switch</b>	Micro switch	
<b>Float material</b>	P.P.	
<b>Cable spec</b>	PVC Cable 0.75mm <sup>2</sup> x3C	Neoprene Cable 0.75mm <sup>2</sup> x3C
<b>Contact rating</b>	3A/ 125/250Vac	
<b>Contact mode</b>	N.O or N.C or SPDT	
<b>Operating temp.</b>	-0°C~60°C	-10°C~80°C
<b>Specific gravity</b>	0.8	
<b>Weight approx.</b>	113A2g/1M Cable	
<b>Pressure</b>	4.5 kg/cm <sup>2</sup>	
<b>Wire voltage</b>	600 Vac	
<b>Isolation resistance</b>	Min 100 MΩ	
<b>Contact resistance</b>	Max. 100mΩ+(70mΩ/m)	
<b>Actuation angle</b>	Up 18°± 4°/ Down 3°± 3°	
<b>Protection</b>	IP68	

# SPECIFICATIONS

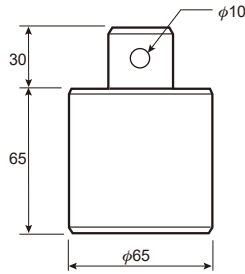
<b>Dimensions (Unit:mm)</b>		
	<b>Model</b>	<b>FAJ A/B/C Bar type</b>
<b>Switch</b>	Reed Switch	
<b>Float material</b>	P.P.	
<b>Cable spec</b>	PVC Cable 0.75mm <sup>2</sup> x3C	Neoprene Cable 0.75mm <sup>2</sup> x3C
<b>Contact rating</b>	AC70 VA / DC50 W(N.O), 20W(N.C, SPDT)	
<b>Contact mode</b>	N.O or N.C or SPDT	
<b>Operating temp.</b>	-0°C~60°C	-10°C~80°C
<b>Specific gravity</b>	0.8	
<b>Weight approx.</b>	115A2g/1M Cable	
<b>Pressure</b>	4.5 kg/cm <sup>2</sup>	
<b>Wire voltage</b>	300 Vac/ 350Vdc(N.O), 150 Vac/ 200Vdc(N.C, SPDT)	
<b>Isolation resistance</b>	Min 100MΩ	
<b>Contact resistance</b>	(N.O) Max.100mΩ+(70mΩ/m),(N.C,SPDT) Max.150mΩ+(70mΩ/m)	
<b>Actuation angle</b>	Up 18°± 4°/ Down 3°± 3°	
<b>Protection</b>	IP68	

## WEIGHTS DIMENSIONS

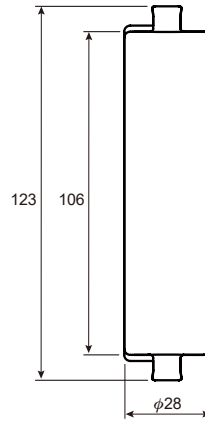
**FAPW-03  
FAPW-05**



**FASW**



**FAB-0010**



Model	Material	Weight
<b>FAPW-03 FAPW-05</b>	PP	0.3kg 0.5kg
<b>FASW</b>	SUS304	1.8kg
<b>FAB-0010</b>	PP	0.15kg

## CONTACT MODE

### 1. SPST (N.O)

<p><b>FACA</b></p> <p>(N.O.) Brown (COM) Blue</p>	<p><b>FAPA/FAEA</b></p> <p>(N.O.) White (COM) Black</p> <p><b>FARA/FADA</b></p> <p>(N.O.) Brown (COM) Blue</p>	<p><b>FASA</b></p> <p>(N.O.) Blue (COM) Yellow</p>	<p><b>FALA/FAJA</b></p> <p>(N.O.) White (COM) Black</p> <p><b>FAMA/FAKA</b></p> <p>(N.O.) Brown (COM) Black</p>
---	--	--	---

### 2. SPST (N.C)

<p><b>FACB</b></p> <p>(N.C.) Yellow (COM) Blue</p>	<p><b>FAPB/FAEB</b></p> <p>(N.C.) Red (COM) Black</p> <p><b>FARB/FADB</b></p> <p>(N.C.) Yellow (COM) Blue</p>	<p><b>FASB</b></p> <p>(N.C.) Brown (COM) Yellow</p>	<p><b>FALB/FAJB</b></p> <p>(N.C.) Red (COM) Black</p> <p><b>FAMB/FAKB</b></p> <p>(N.C.) Blue (COM) Black</p>
--	---	---	--

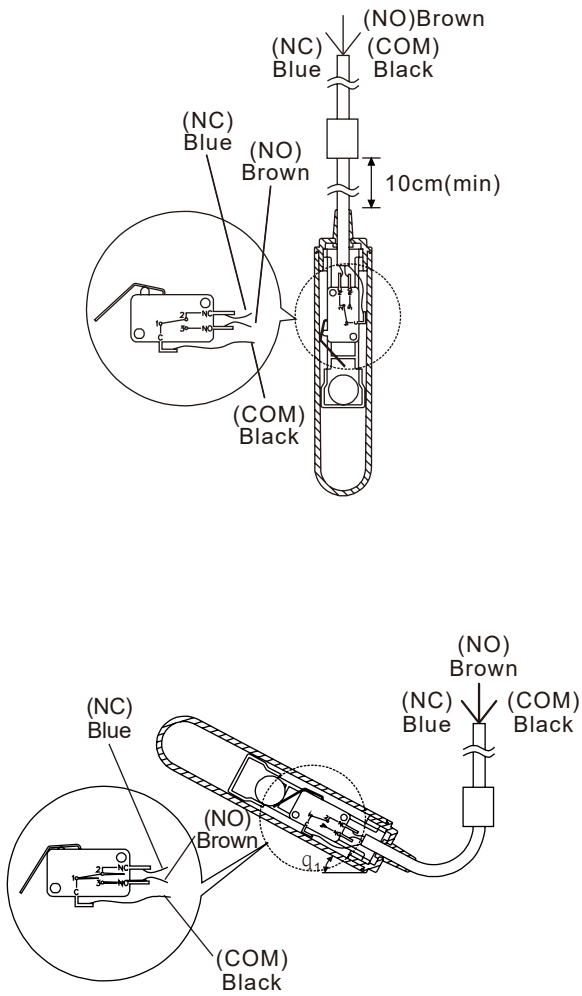
### 3. SPDT (1C)

<p><b>FACC</b></p> <p>(N.O.) Brown (N.C.) Yellow (COM) Blue</p>	<p><b>FAPC/FAEC</b></p> <p>(N.O.) White (N.C.) Red (COM) Black</p> <p><b>FARC/FADC</b></p> <p>(N.O.) Brown (N.C.) Yellow (COM) Blue</p>	<p><b>FASC</b></p> <p>(N.O.) Blue (N.C.) Brown (COM) Yellow</p>	<p><b>FALC/FAJC</b></p> <p>(N.O.) White (N.C.) Red (COM) Black</p> <p><b>FAMC/FAKC</b></p> <p>(N.O.) Brown (N.C.) Blue (COM) Black</p>
---	---	---	--

# WIRING

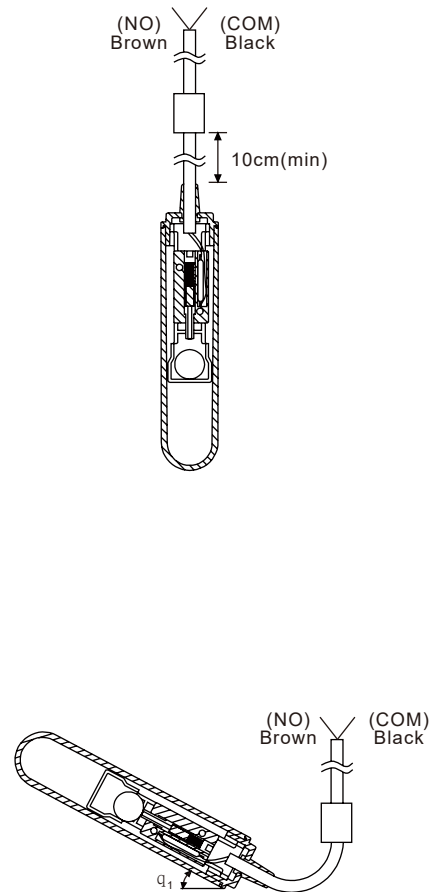
## Micro Switch

When the float hasn't contacted the liquid, the blue and black wires are in an open state and the contact mode will be NC. When the liquid level rises and lifts the float until it reaches the actuation angle, the brown and black wires will be in an open state and the contact mode will be NO.



## Reed Switch

When the liquid level is low, the metal ball remains away from the sensing range and the brown and black wires are in an open state (NC mode). When the liquid level rises and lifts the float until it reaches the actuation angle, the brown and black wires will be in an open state (NO mode).

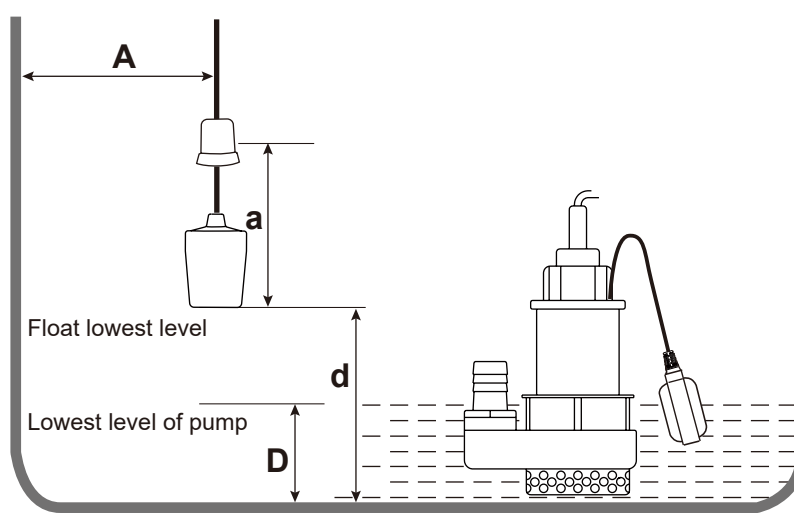


# INSTALLATION GUIDE

## DIMENSIONS

The float's action length (a) must be shorter than the distance between the wall and the cable (A) ; if not, it will not function accurately.

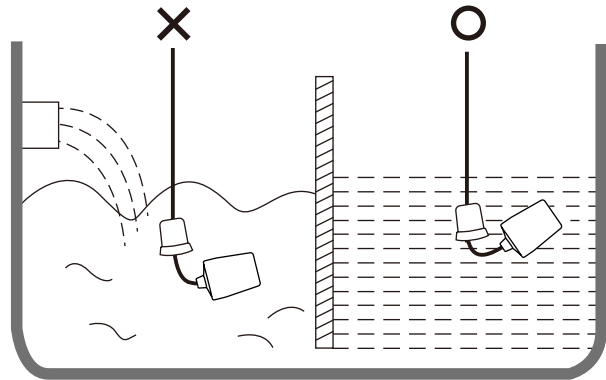
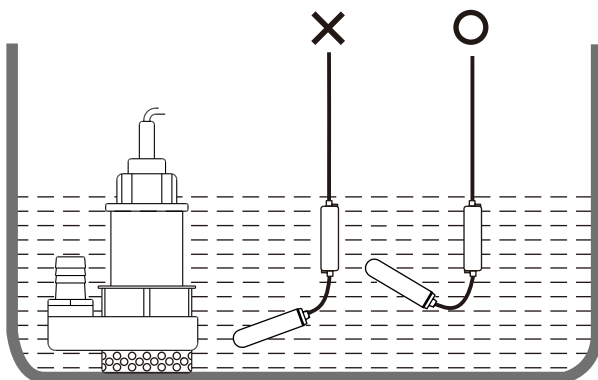
The lowest float level (d) must be higher than the lowest water level of the pump (D).



## PRECAUTIONS

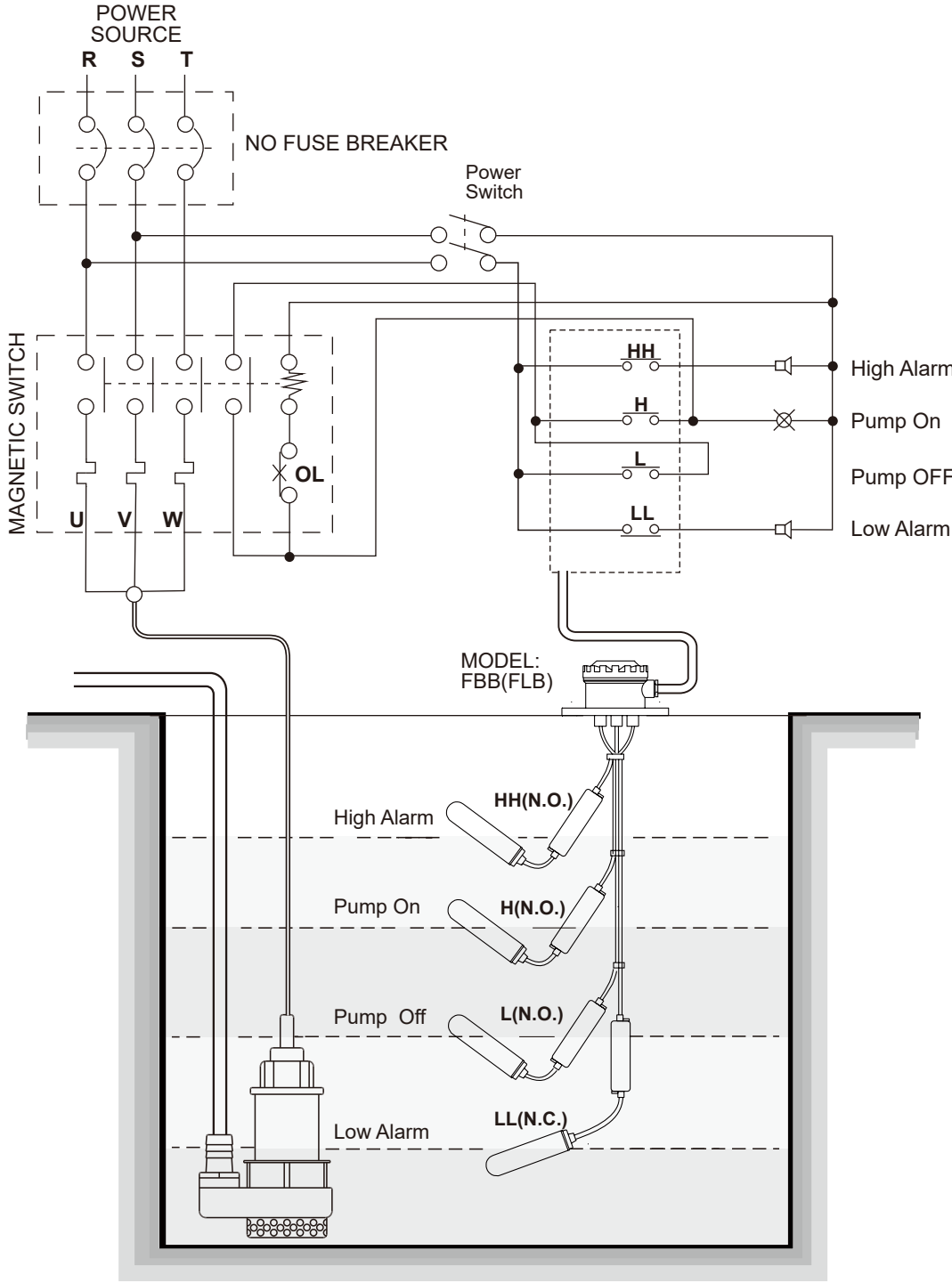
Keep a proper distance between the installation position and the water pump inlet to prevent the float switch from being sucked in towards the pump.

There should be a proper distance between the installation position and water inlet to prevent any direct water impact. If it can't be avoided, please install a pipe-shield or plate that lowers the turbulence.



# APPLICATION

The FBX type is suitable for installation from the tank's roof/top for level control and monitoring.



# MODEL NUMBER / ORDER CODE COMPARISON TABLE

Model Number	Order Code
FAC	FAX10100-AD□P1
FACA	FAX10100-ADAP1
FACB	FAX10100-ADBP1
FACC	FAX10100-ADCP1

FAP	FAX10100-BD□P2
FAPA	FAX10100-BDAP2
FAPB	FAX10100-BDBP2
FAPC	FAX10100-BDCP2
FAR	FAX10100-BD□P1
FARA	FAX10100-BDAP1
FARB	FAX10100-BDBP1
FARC	FAX10100-BDCP1
FAD	FAX10100-BD□C1
FADA	FAX10100-BDAC1
FADB	FAX10100-BDBC1
FADC	FAX10100-BDCC1
FAE	FAX10100-BD□C2
FAEA	FAX10100-BDAC2
FAEB	FAX10100-BDBC2
FAEC	FAX10100-BDCC2

FAS	FAX10100-DB□M3
FASA	FAX10100-DBAM3
FASB	FAX10100-DBBM3
FASC	FAX10100-DBCM3

FAL	FAX10100-CB□P2
FAM	FAX10100-CB□P1
FAJ	FAX10100-CF□P2
FAK	FAX10100-CF□P1

FAPW-03	FAX□M1P-1806007002
FAPW-05	FAX□M1P-1806007003
FASW	FAX□M1P-MA06509501
FAB-0010	FAX□M1P-1802810601

# ORDER INFORMATION

FAX 1 0 1 0 0 - <sup>09</sup> <sup>10</sup> <sup>11</sup> <sup>12</sup> <sup>13</sup> <sup>14</sup> <sup>15</sup> <sup>16</sup> <sup>17</sup>

**⑨⑩ Float type and switch**

- AD:  $\phi$ 90\*110 Micro switch(10A)
- AE:  $\phi$ 90\*110 Micro switch(15A)
- BD:  $\phi$ 70\*108 Micro switch(10A)
- BE:  $\phi$ 70\*108 Micro switch(15A)
- CB:  $\phi$ 29\*145 Micro switch(3A)
- CC:  $\phi$ 29\*145 Micro switch(3A)+Ground
- CF:  $\phi$ 29\*145 Reed Switch
- CG:  $\phi$ 29\*145 Reed Switch+Ground
- DB:  $\phi$ 75\*120 Reed Switch

※ It is suggested to apply Reed Switch contact models in PLC or DCS control.

**⑪ Contact note**

- A: N.O.
- B: N.C.
- C: SPDT

**⑫⑬ Float and cable material**

- P1: Float PP Neoprene cable
- P2: Float PP PVC cable
- C1: Float PVC Neoprene cable
- C2: Float PVC PVC cable
- M3: Float SUS304 Silicon cable

**⑭⑮⑯⑰ Length**

Code	Length
0600	600mm (Min imum order length)
3000	3000mm
5000	5000mm
A100	10000mm ("A" Multiply 100 times) <sup>Note</sup>
A150	15000mm ("A" Multiply 100 times)
A450	45000mm (Maximam order length)

Note: Max. probe length for  $\phi$ 90x110 type is 10000mm.

# HOW TO ORDER CABLE FLOATS (FB TYPE)

Various types of multi-point products can be selected to meet the user's needs.

For example:

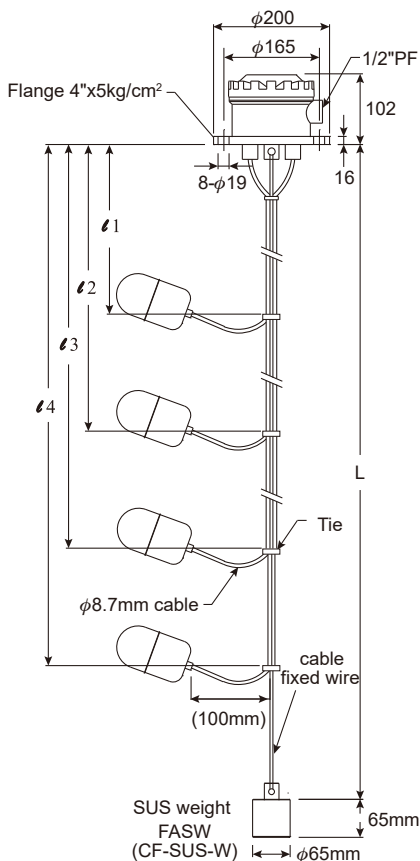
FBX10000-□□□□□C type is suitable for corrosive solutions.

FBX10000-□□□□□B type is suitable for high-temperature waste water

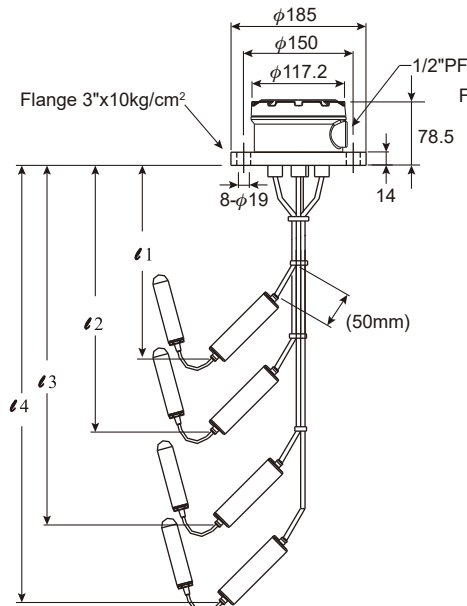
## DISTANCE OF CONTROL POINTS

	NO	NC
ℓ1 : _____ mm	<input type="checkbox"/>	<input type="checkbox"/>
ℓ2 : _____ mm	<input type="checkbox"/>	<input type="checkbox"/>
ℓ3 : _____ mm	<input type="checkbox"/>	<input type="checkbox"/>
ℓ4 : _____ mm	<input type="checkbox"/>	<input type="checkbox"/>
L : _____ mm		

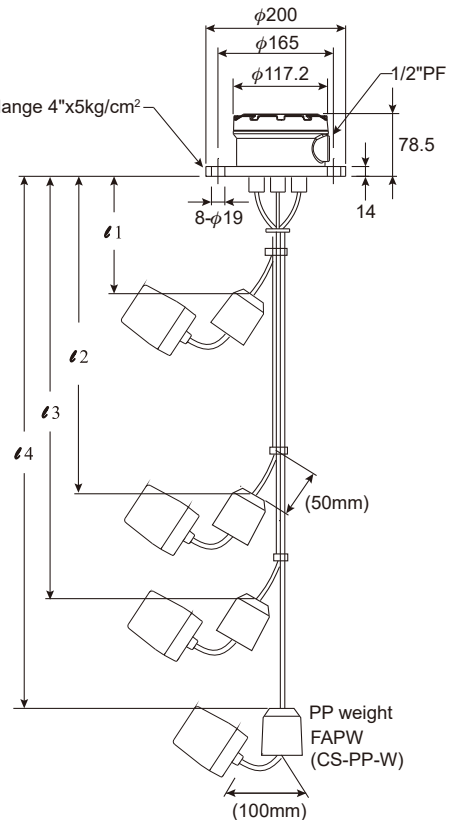
MODEL: FBX10000-□□□□□B



MODEL: FBX10000-□□□□□C



MODEL: FBX10000-□□□□□C





⑨
⑩
⑪
⑫
⑬
⑭
⑮
⑯
⑰
⑱
⑲
⑳
㉑
㉒
㉓
㉔
㉕
㉖
㉗
㉘
㉙

**FBX 1 0 0 0 0 -**

**㉑ ㉒ Flange material** \_\_\_\_\_

MA: SUS304  
 MB: SUS316  
 18 : PP

**㉓ ㉔ Float with weight quantity** \_\_\_\_\_

<table border="1" style="width: 100%; border-collapse: collapse;"> <tr><th>Code</th><th>Float with weight quantity × Quantity</th></tr> <tr><td>P1</td><td>Float plastic with weight PP(0.3kg)×1</td></tr> <tr><td>P2</td><td>Float plastic with weight PP(0.3kg)×2</td></tr> <tr><td>P3</td><td>Float plastic with weight PP(0.3kg)×3</td></tr> <tr><td>P4</td><td>Float plastic with weight PP(0.3kg)×4</td></tr> <tr><td>P5</td><td>Float plastic with weight PP(0.3kg)×5</td></tr> <tr><td>P6</td><td>Float plastic with weight PP(0.3kg)×6</td></tr> </table>	Code	Float with weight quantity × Quantity	P1	Float plastic with weight PP(0.3kg)×1	P2	Float plastic with weight PP(0.3kg)×2	P3	Float plastic with weight PP(0.3kg)×3	P4	Float plastic with weight PP(0.3kg)×4	P5	Float plastic with weight PP(0.3kg)×5	P6	Float plastic with weight PP(0.3kg)×6	<table border="1" style="width: 100%; border-collapse: collapse;"> <tr><th>Code</th><th>Float with weight quantity × Quantity</th></tr> <tr><td>Q1</td><td>Float plastic with weight PP(0.5kg)×1</td></tr> <tr><td>Q2</td><td>Float plastic with weight PP(0.5kg)×2</td></tr> <tr><td>Q3</td><td>Float plastic with weight PP(0.5kg)×3</td></tr> <tr><td>Q4</td><td>Float plastic with weight PP(0.5kg)×4</td></tr> <tr><td>Q5</td><td>Float plastic with weight PP(0.5kg)×5</td></tr> <tr><td>Q6</td><td>Float plastic with weight PP(0.5kg)×6</td></tr> </table>	Code	Float with weight quantity × Quantity	Q1	Float plastic with weight PP(0.5kg)×1	Q2	Float plastic with weight PP(0.5kg)×2	Q3	Float plastic with weight PP(0.5kg)×3	Q4	Float plastic with weight PP(0.5kg)×4	Q5	Float plastic with weight PP(0.5kg)×5	Q6	Float plastic with weight PP(0.5kg)×6
Code	Float with weight quantity × Quantity																												
P1	Float plastic with weight PP(0.3kg)×1																												
P2	Float plastic with weight PP(0.3kg)×2																												
P3	Float plastic with weight PP(0.3kg)×3																												
P4	Float plastic with weight PP(0.3kg)×4																												
P5	Float plastic with weight PP(0.3kg)×5																												
P6	Float plastic with weight PP(0.3kg)×6																												
Code	Float with weight quantity × Quantity																												
Q1	Float plastic with weight PP(0.5kg)×1																												
Q2	Float plastic with weight PP(0.5kg)×2																												
Q3	Float plastic with weight PP(0.5kg)×3																												
Q4	Float plastic with weight PP(0.5kg)×4																												
Q5	Float plastic with weight PP(0.5kg)×5																												
Q6	Float plastic with weight PP(0.5kg)×6																												
<table border="1" style="width: 100%; border-collapse: collapse;"> <tr><td>R1</td><td>Float plastic with weight PP(0.15kg)×1</td></tr> <tr><td>R2</td><td>Float plastic with weight PP(0.15kg)×2</td></tr> <tr><td>R3</td><td>Float plastic with weight PP(0.15kg)×3</td></tr> <tr><td>R4</td><td>Float plastic with weight PP(0.15kg)×4</td></tr> <tr><td>R5</td><td>Float plastic with weight PP(0.15kg)×5</td></tr> <tr><td>R6</td><td>Float plastic with weight PP(0.15kg)×6</td></tr> </table>	R1	Float plastic with weight PP(0.15kg)×1	R2	Float plastic with weight PP(0.15kg)×2	R3	Float plastic with weight PP(0.15kg)×3	R4	Float plastic with weight PP(0.15kg)×4	R5	Float plastic with weight PP(0.15kg)×5	R6	Float plastic with weight PP(0.15kg)×6	<table border="1" style="width: 100%; border-collapse: collapse;"> <tr><td>S1</td><td>SUS304 Float(without weight)×1</td></tr> <tr><td>S2</td><td>SUS304 Float(without weight)×2</td></tr> <tr><td>S3</td><td>SUS304 Float(without weight)×3</td></tr> <tr><td>S4</td><td>SUS304 Float(without weight)×4</td></tr> <tr><td>S5</td><td>SUS304 Float(without weight)×5</td></tr> <tr><td>S6</td><td>SUS304 Float(without weight)×6</td></tr> </table>	S1	SUS304 Float(without weight)×1	S2	SUS304 Float(without weight)×2	S3	SUS304 Float(without weight)×3	S4	SUS304 Float(without weight)×4	S5	SUS304 Float(without weight)×5	S6	SUS304 Float(without weight)×6				
R1	Float plastic with weight PP(0.15kg)×1																												
R2	Float plastic with weight PP(0.15kg)×2																												
R3	Float plastic with weight PP(0.15kg)×3																												
R4	Float plastic with weight PP(0.15kg)×4																												
R5	Float plastic with weight PP(0.15kg)×5																												
R6	Float plastic with weight PP(0.15kg)×6																												
S1	SUS304 Float(without weight)×1																												
S2	SUS304 Float(without weight)×2																												
S3	SUS304 Float(without weight)×3																												
S4	SUS304 Float(without weight)×4																												
S5	SUS304 Float(without weight)×5																												
S6	SUS304 Float(without weight)×6																												

**㉕ Weight (bottom)** \_\_\_\_\_

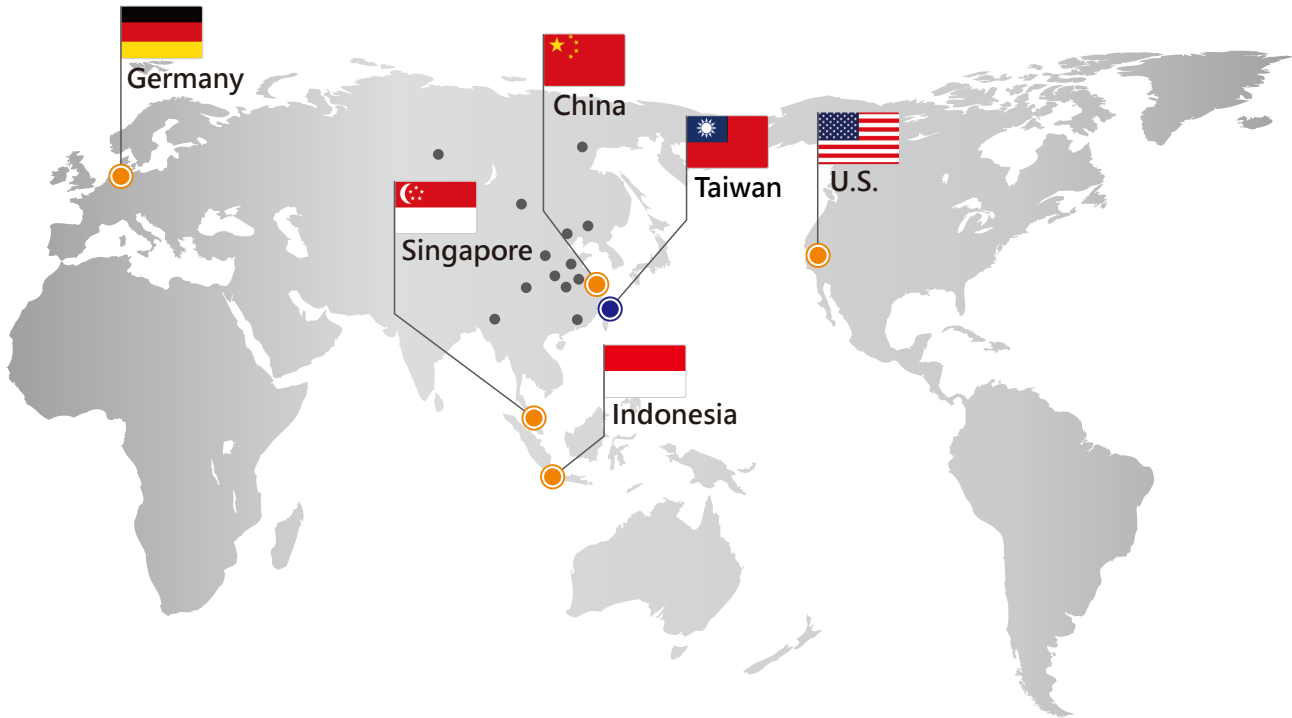
0 ☆ None  
 S ☆ Weight SUS304 (1.8kg) with cable  
 N: Weight PP (0.3kg) with nylon cable  
 M: Weight PP (0.5kg) with nylon cable

**㉖ ㉗ ㉘ ㉙ Length** \_\_\_\_\_

Code	Length
0600	600mm (Min imum order length)
3000	3000mm
5000	5000mm
A100	10000mm ("A" Multiply 100 times) <sup>Note</sup>
A150	15000mm ("A" Multiply 100 times)
A450	45000mm (Maximam order length)

Note: Max. probe length for φ90x110 type is 10000mm.

# Global Network



## ■ Head Quarter

- Taiwan  
FineTek Co., Ltd. - Taipei Head Quarter   
No.16, Tzuchiang St., Tucheng Industrial Park  
New Taipei City 236, Taiwan  
TEL: 886-2-2269-6789  
FAX: 886-2-2268-6682  
EMAIL: info@fine-tek.com

## ■ North America

- California, U.S.  
Aplus Finetek Sensor Inc. - US Office  
355 S. Lemon Ave, Suite D  
Walnut, CA 91789  
TEL: 1 909 598 2488  
FAX: 1 909 598 3188  
EMAIL: info@aplusfine.com


## ■ Europe

- Germany  
FineTek GmbH - Germany Office  
Bei den Kämpen 26  
21220 Seevetal-Ramelsloh, Germany  
TEL: +49-(0)4185-8083-12  
FAX: +49-(0)4185-8083-80  
EMAIL: info@fine-tek.de

## ■ Asia

- China  
Fine automation Co., Ltd. - Shanghai Factory   
No.451 DuHui Rd, MinHang District, Shanghai,  
China 201109  
TEL: 86-21-6490-7260  
EMAIL: info.sh@fine-tek.com

- Singapore  
FineTek Pte Ltd. - Singapore Office  
37 Kaki Bukit Place, Level 4 Singapore 416215  
TEL: 65-6452-6340  
EMAIL: info.sg@fine-tek.com

- Indonesia  
PT. FineTek Automation Indonesia - Indonesia Office   
PERGUDANGAN TUNAS BITUNG  
JL. Raya Serang KM. 13,8, Blok C3 No. 12&15,  
Bitung Cikupa, Tangerang 15710  
TEL: 62 (021)-2958-1688  
EMAIL: info.id@fine-tek.com

- Müttec Instruments GmbH - Germany Office   
Bei den Kämpen 26  
21220 Seevetal-Ramelsloh, Germany  
TEL: +49-(0)4185-8083-0  
FAX: +49-(0)4185-8083-80  
EMAIL: muetec@muetec.de



Distributor: