

# SCX6 Vibrating Rod Level Switch



## INTRODUCTION

Piezoelectric elements are used to drive and signal feedback which resonates with the vibrating rod. If a material touches the probe, the vibration intensity and frequency will change due to the damping effect caused when the measured object is covering the probe. A relay contact output switching signal is sent.

## FEATURES

- Suitable for materials with low specific gravity; it can be as low as 0.04g/cm<sup>3</sup>.
- High vibration intensity to reduce the pile-up of materials on the vibrating rod.
- No calibration required, easy to use, and durable.
- High and low-level failure protection; safe and reliable.
- Power supply: for AC input range – 100~240Vac 50/60; for DC input range – 18~30 Vdc input.

## SCOPE OF APPLICATION

Level control in cement factories, food industries, flour mills, coal mines, and pharmaceutical factories, among others.

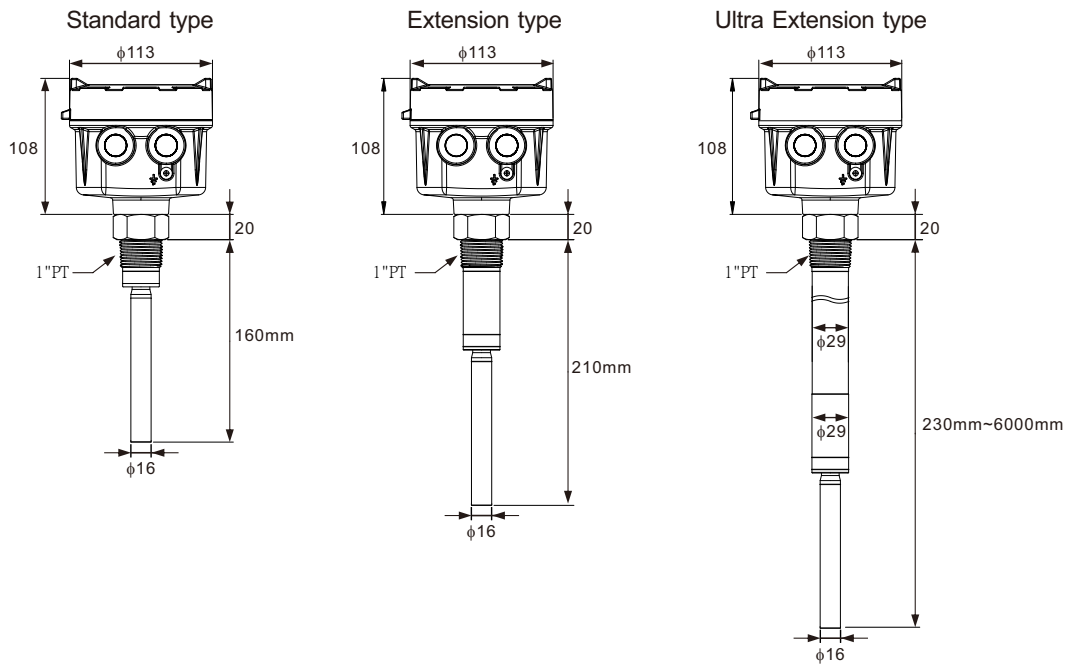


## SPECIFICATIONS

| Model                        | Standard type   | Extension type | Ultra Extension type |
|------------------------------|---|----------------|----------------------|
| Operating voltage            | 100~240VAC · 50/60 Hz<br>18~30VDC                                   |                |                      |
| Power consumption            | 10 VA@100~240VAC Input<br>2W@18~30VDC Input                         |                |                      |
| Vibration frequency          | About 330~360Hz   |                |                      |
| Min. material density sensed | 0.04 g/cm <sup>3</sup>  |                |                      |
| Selectable density           | H / L   |                |                      |
| Selectable Fail-safe         | FSH / FSL   |                |                      |
| Operating temperature        | -40~150°C   |                |                      |
| Ambient temperature          | -40~85 °C   |                |                      |
| Operating pressure           | 16 BAR  |                |                      |
| Signal output                | Relay*2 ( SPDT · 5A / 240 VAC;A / 28Vdc )                           |                |                      |
| Level sensor housing         | Aluminum / IP65   |                |                      |
| Wetted materials             | SUS304 / SUS316 / SUS316L   |                |                      |
| Standard connection          | 1"PT  |                |                      |
| Probe length                 | 160 mm  | 210 mm         | 230mm~6000mm         |
| Display                      | Green LED light: power indicator<br>Red LED light: action indicator |                |                      |

## DIMENSIONS

(Unit:mm)



## ORDER INSTRUCTIONS

SCX 6 0 0 0 0 - <sup>09</sup>  AA <sup>12</sup>  <sup>13</sup>  <sup>14</sup>  <sup>15</sup>  <sup>16</sup>  <sup>17</sup>  <sup>18</sup>  <sup>19</sup>  <sup>20</sup>  0 0 <sup>23</sup>  <sup>24</sup>  <sup>25</sup>  <sup>26</sup>

### <sup>09</sup> Construction

A: Standard type    B: Extension type    C: Ultra Extension type

### <sup>12</sup> Power supply

C: 100~240Vac,50/60Hz ; Relay SPDT\*2 ; Euro Terminal  
D: 18~30Vdc ; Relay SPDT\*2 ; Euro Terminal

### Connection

<sup>13</sup> <sup>14</sup>

AA: JIS  
AB: ISO  
AC: ANSI/ASTM  
AI: 3A  
AJ: JIS-RF  
AN: ANSI-RF

<sup>15</sup> <sup>16</sup>

A8: 1"  
A9: 1-1/4"  
B1: 1-1/2"  
B2: 2"  
B4: 2-1/2"  
B5: 3"

<sup>17</sup> <sup>18</sup>

01: PT male  
03: PF male  
40: 5kg cm<sup>2</sup>  
42: 10kg cm<sup>2</sup>  
48: 150Lbs  
57: PN10

### <sup>19</sup> <sup>20</sup> Probe material

MA: SUS304    MB: SUS316    MC: SUS316L

### <sup>23</sup> <sup>24</sup> <sup>25</sup> <sup>26</sup> Probe length

| Code      | Probe length                       |
|-----------|------------------------------------|
| 0160      | 160mm(Standard type)               |
| 0210      | 210mm(Extension type )             |
| 0230~6000 | 230mm~6000mm(Ultra Extension type) |

※Length 211~229mm Please choose the extended type (customized)

